



Shown: 10.5" model in Deep brown oxide and Opal white glass.

HEX LANTERN SURFACE MOUNT

MODEL NUMBER

2110

DESCRIPTION

Square cut, perforated copper body, lined with flat glass. Hand forged copper ceiling plate & hardware. Cast link suspension.

FINISH

Deep brown oxide or Deep black oxide.

KILN FORMED GLASS

Clear, Opal white, Pale gold, Sand or Seeded opal.

DIMENSIONS

NET WT

2110.9.5

6.5"W x 12" fixed height

6 lbs.

Ceiling plate: 4.5"W x 5"L x .375"D, hexagonal.

2110.10.5

10.5"W x 13" fixed height

10 lbs.

Ceiling plate: 4.5"W x 5"L x .375"D, hexagonal.

2110.15.5

10.5"W x 18" fixed height

14 lbs.

Ceiling plate: 4.5"W x 5"L x .375"D, hexagonal.

VOLTAGE / LAMP TYPE

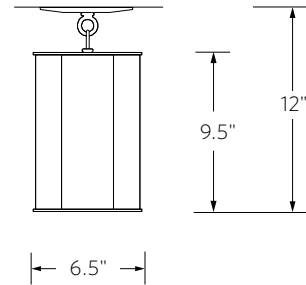
120V, 8.5W, E26 base, T12 LED filament lamp.

2,700°K, 90 CRI, 800 lumens.

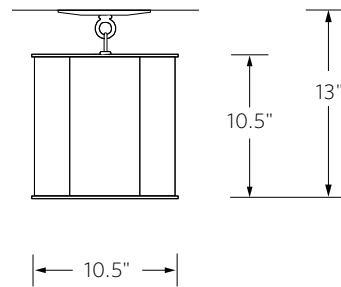
CA Title 24-JA8-2019-E.

PLEASE SPECIFY

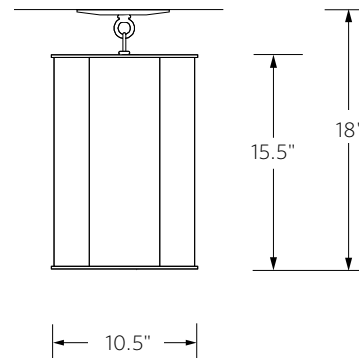
Size, finish, and shade color.



Model 2110.9.5



Model 2110.10.5



Model 2110.15.5