



Shown: 6.5" model in Deep brown oxide and Helbeige glass.

MODEL NUMBER

2440

DESCRIPTION

Copper body, mold blown glass shade.

FINISH

Deep brown oxide, Deep black oxide, or Satin Nickel

MOLD BLOWN GLASS

Helbeige, Opal white, Quicksilver or Woodsmoke. (Inside acid etch).

DIMENSIONS

2440.6.5

4.125"W x 6.5"H x 5.25"D
Back plate: 4.125"W x 6.5"H
Shade: 3.375"Ø x 5"H

NET WT

4 lbs.

2440.9.5

7"W x 9.5"H x 8.125"D
Back plate: 7"W x 9.5"H
Shade: 6"Ø x 8"H

10 lbs.

2440.12

4"W x 12"H x 3.375"D
Back plate: 4"W x 12"H
Shade: 2.5"Ø x 8.25"H

6 lbs.

VOLTAGE / LAMP TYPE

2440.6.5*

120V, 6W, E12 base, LED lamp.
2,700°K, 90+ CRI, 600 lumens.

2440.9.5**

120V, 9W, GU24 base,
A19 LED lamp, frosted.
2,700°K, 90+ CRI, 800 lumens.

2440.12*

120V, 6W, E12 base, LED lamp.
2,700°K, 90+ CRI, 600 lumens.

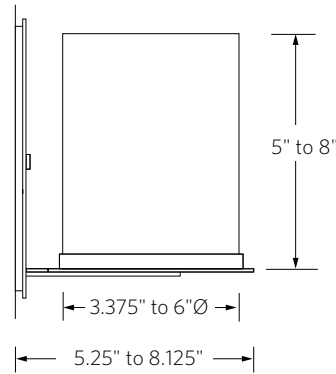
CA Title 24-JA8-2016*

CA Title 24-JA8-2019-E**

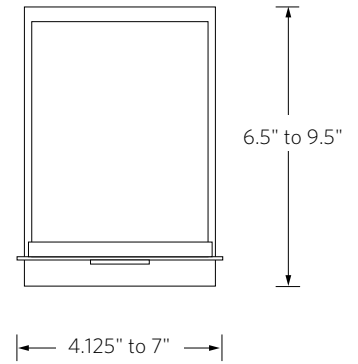
PLEASE SPECIFY

Size, finish & shade color.
Back plate centers on j-box.

SIDE VIEW

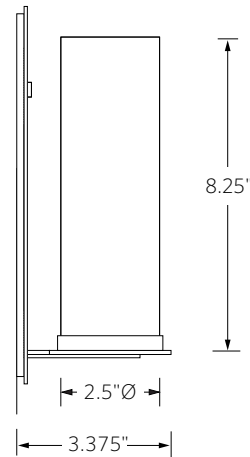


FRONT VIEW

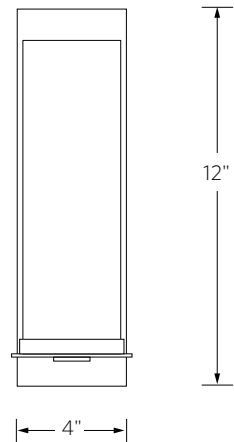


Model 2440.6.5 and 2440.9.5

SIDE VIEW



FRONT VIEW



Model 2440.12