



Shown: 42"Ø model in Satin nickel and Opal white glass.

**MODEL NUMBER**  
4020

**DESCRIPTION**  
Suspended ring of corrugated copper or brass, lined with kiln formed glass. Cable suspension.

**FINISH**  
Deep brown oxide, Deep black oxide, Japanese, Natural Brass or Satin nickel.

**KILN FORMED GLASS**  
Clear or Opal white

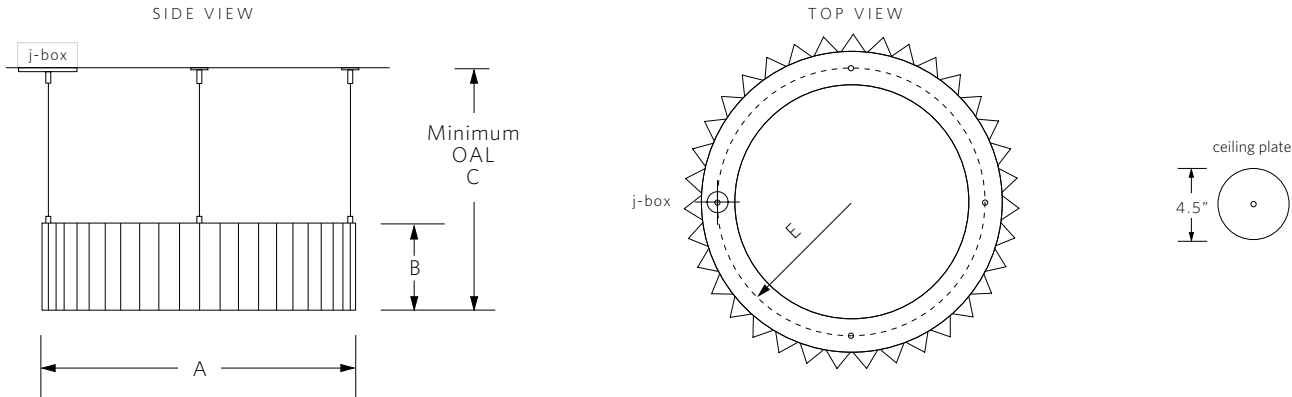
**DIMENSIONS**  
Available in 7 sizes. Note height to diameter ratio.

**CEILING PLATE**  
4.5"Ø x .25"D

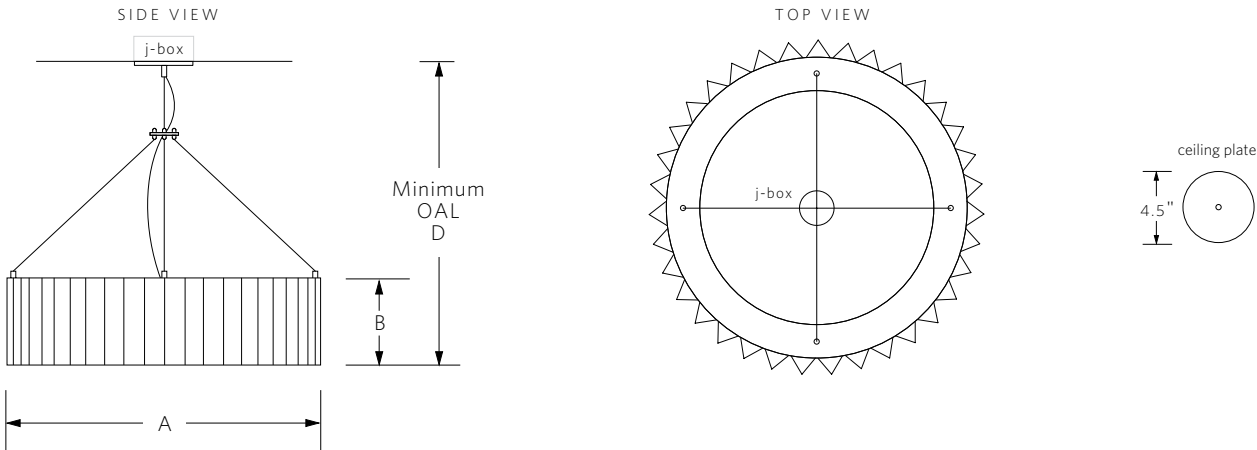
**PLEASE SPECIFY**  
Size, finish, glass color & OAL. Please select suspension type: Option 1 (straight cables; off-center j-box), or Option 2, (angled cables; center j-box). Minimum OAL varies with suspension option (see table below). OAL can be adjusted in the field at installation.

**VOLTAGE / LAMP TYPE**  
Integrated LED, 24V, 2,700°K / 98 CRI Ra / 93 CRI R9 / 94 TM30 Rf / 101 TM30 Rg 30,000 hr.  
120V to 24V dimmable driver included. Must be located in remote cubby / crawl space.  
See specific LED specs for each model in table below.  
CA Title 24-JA8-2016

**Suspension Option 1** - 4 individual cables for off-center j-box



**Suspension Option 2** - 4 cables joined to 1, for center j-box



Model	A	B	C	D	E	Net Wt	Voltage/Lamp
Gear Suspension 4020.18	18"	5"	N/A	18"	7.625"	12 lbs.	24V, 25W, 2,700°K , 98 CRI, 2,152 lumens.
Gear Suspension 4020.24	24"	6"	12"	24"	10.5"	15 lbs.	24V, 37W, 2,700°K , 98 CRI, 3,257 lumens.
Gear Suspension 4020.30	30"	7"	13"	30"	13.5"	21 lbs.	24V, 50W, 2,700°K , 98 CRI, 4,363 lumens.
Gear Suspension 4020.36	36"	8"	14"	36"	16.625"	30 lbs.	24V, 63W, 2,700°K , 98 CRI, 5,468 lumens.
Gear Suspension 4020.42	42"	9"	15"	42"	19.5"	40 lbs.	24V, 75W, 2,700°K , 98 CRI, 6,573 lumens.
Gear Suspension 4020.48	48"	10"	16"	48"	22.5"	46 lbs.	24V, 87W, 2,700°K , 98 CRI, 7,620 lumens.
Gear Suspension 4020.54	54"	11"	17"	54"	25.5"	50 lbs.	24V, 100W, 2,700°K , 98 CRI, 8,725 lumens.

Note: For suspension option 1, j-box can be located at any point along radius path E (see table and illustration above). Three appropriate ceiling anchors must be installed on remaining intersections. Anchors must be sufficient to support 25% of fixture weight. For suspension Option 2, j-box must be blocked sufficiently to support full fixture weight.