



Shown: 4.5"Ø model in Deep brown oxide and Helbeige glass.

MODEL NUMBER
2040

DESCRIPTION

Mold blown glass shade with copper wall plate, arm, glass supports & hardware.

FINISH

Deep brown oxide, Deep black oxide, or Satin Nickel.

MOLD BLOWN GLASS

Helbeige, Opal white, Quicksilver or Woodsmoke. (Inside acid etch).

DIMENSIONS	SHADE	NET WT
2040.4.5 6"W x 11"H x 6"D	4.5"Ø x 7.5"H	9 lbs.

2040.6.75 7.5"W x 14"H x 8"D	6.75"Ø x 9.5"H	15 lbs.
---------------------------------	----------------	---------

2040.9 12"W x 24"H x 14"D	9"Ø x 15"H	33 lbs.
------------------------------	------------	---------

VOLTAGE / LAMP TYPE

2040.4.5
120V, 9W, GU24 base, A19 LED lamp, frosted. 2,700°K, 90+ CRI, 800 lumens.

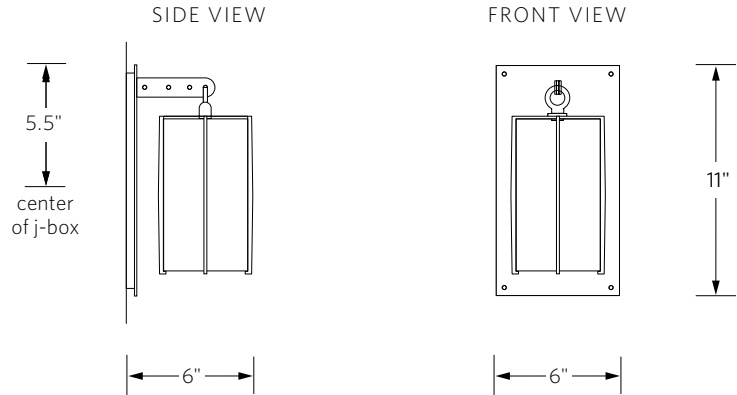
2040.6.75
120V, 15W, E26 base, A19 LED lamp, frosted. 2,700°K, 90+ CRI, 1,600 lumens.

2040.9
120V, 15W, E26 base, A19 LED lamp, frosted. 2,700°K, 90+ CRI, 1,600 lumens.

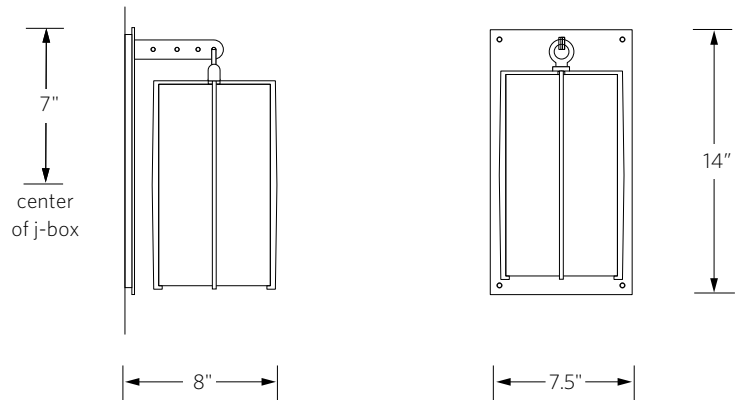
CA Title 24-JA8-2019-E

PLEASE SPECIFY

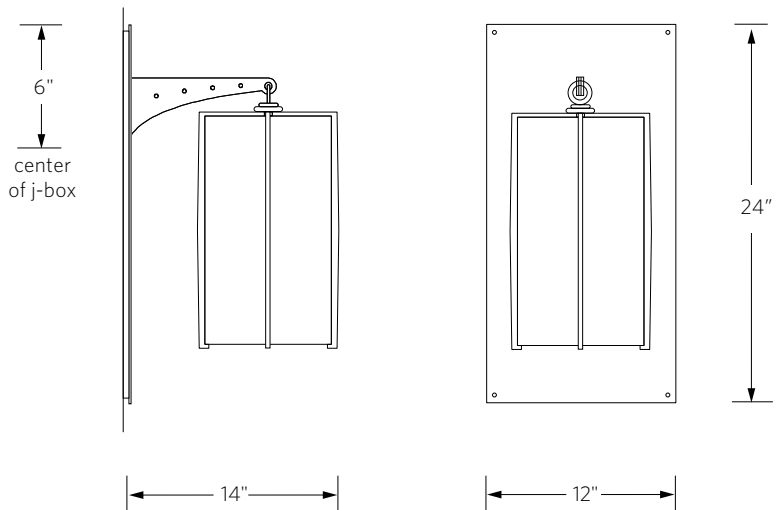
Please specify finish & shade color.
Backplate centers on j-box.



Model 2040.4.5



Model 2040.6.75



Model 2040.9