



Shown: 22" model in Deep black oxide with Bronze cast glass.

MODEL NUMBER

3840

DESCRIPTION

Cast glass shade, brass frame, & hardware.

FINISH

Natural brass, Deep black oxide, or Satin nickel.

CAST GLASS

Bronze, Clear, Opal white or Pale gold.

DIMENSIONS

3840.16
4.5"W x 16"H" x 3.5" projection
Glass ingot size: 3.5"W x 10"H x 1.75"D

NET WT

8 lbs

3840.22
4.5"W x 22"H" x 3.5" projection
Glass ingot size: 3.5"W x 16"H x 1.75"D

11 lbs

3840.36
4.5"W x 36"H" x 3.5" projection
Glass ingot size: 3.5"W x 26"H x 1.75"D

18 lbs

VOLTAGE / LAMP TYPE

3840.16
120V, 9W, 2,400°K or 2,700°K LED
Bronze and Clear: 2,400°K / 97 CRI Ra / 92 CRI R9 / 94 TM30 Rf / 102 TM30 / Rg 708 lumens / 30,000 hr.
Opal white and Pale gold: 2,700°K / 97 CRI Ra / 94 CRI R9 / 94 TM30 Rf / 102 TM30 / Rg 740 lumens / 30,000 hr.

3840.22
120V, 14W, 2,400°K or 2,700°K LED
Bronze and Clear: 2,400°K / 97 CRI Ra / 92 CRI R9 / 94 TM30 Rf / 102 TM30 / Rg 1,114 lumens / 30,000 hr.
Opal white and Pale gold: 2,700°K / 97 CRI Ra / 94 CRI R9 / 94 TM30 Rf / 102 TM30 / Rg 1,163 lumens / 30,000 hr.

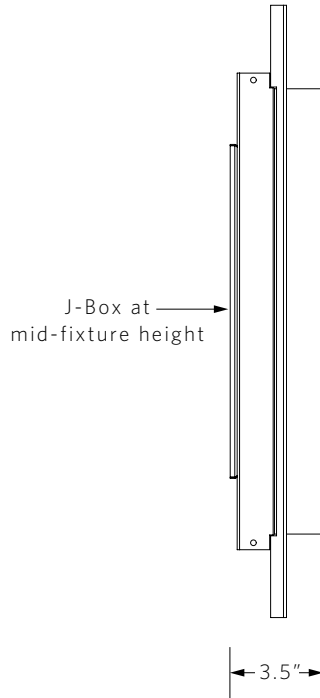
3840.36
120V, 17W, 2,400°K or 2,700°K LED
Bronze and Clear: 2,400°K / 97 CRI Ra / 92 CRI R9 / 94 TM30 Rf / 102 TM30 / Rg 1,350 lumens / 30,000 hr.
Opal white and Pale gold: 2,700°K / 97 CRI Ra / 94 CRI R9 / 94 TM30 Rf / 102 TM30 / Rg 1,410 lumens / 30,000 hr.

Dimmable driver integrated within wall plate.
Note: Requires standard depth J-box; will not mount to pancake J-box.
Note: Recommend reverse phase dimmer (Lutron, Diva DVELV-300P, or similar). CA Title 24-JA8-2016

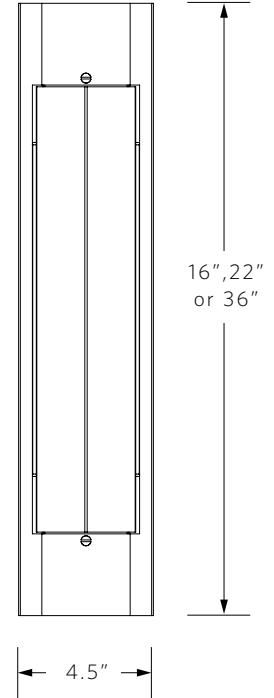
PLEASE SPECIFY

Finish & glass color.

SIDE VIEW



FRONT VIEW



TOP VIEW

