



Shown: 22" model in Deep black oxide with Opal white cast glass.

MODEL NUMBER

3820

DESCRIPTION

Cast glass shade, brass frame, ceiling plate & hardware. Cable suspension.

FINISH

Natural Brass, Deep black oxide, or Satin Nickel.

CAST GLASS

Bronze, Clear, Opal white or Pale gold.

DIMENSIONS

DIMENSIONS	MIN OAL	NET WT
3820.16		
5.5"Ø x 16"H	22"	20 lbs
Glass ingot size: 3.5"W x 10"H x 1.75"D		

3820.22

5.5"Ø x 22"H	28"	26 lbs
Glass ingot size: 3.5"W x 16"H x 1.75"D		

CEILING PLATE / DRIVER ENCLOSURE

4.5"Ø x 3"Ø x 3"H

VOLTAGE / LAMP TYPE

3820.16

Integrated LED. 120V, 12W, 2,400°K or 2,700°K.
 Bronze and Clear: 2,400°K / 94 CRI Ra / 98 CRI R9 / 93 TM30 Rf / 101 TM30 Rg / 980 lumens, 30,000 hr.
 Opal white and Pale gold: 2,700°K / 97 CRI Ra / 95 CRI R9 / 94 TM30 Rf / 101 TM30 Rg / 1,148 lumens, 30,000 hr.

3820.22

Integrated LED. 120V, 18W, 2,400°K or 2,700°K.
 Bronze and Clear: 2,400°K / 94 CRI Ra / 98 CRI R9 / 93 TM30 Rf / 101 TM30 Rg / 1,470 lumens, 30,000 hr.
 Opal white and Pale gold: 2,700°K / 97 CRI Ra / 95 CRI R9 / 94 TM30 Rf / 101 TM30 Rg / 1,722 lumens, 30,000 hr.

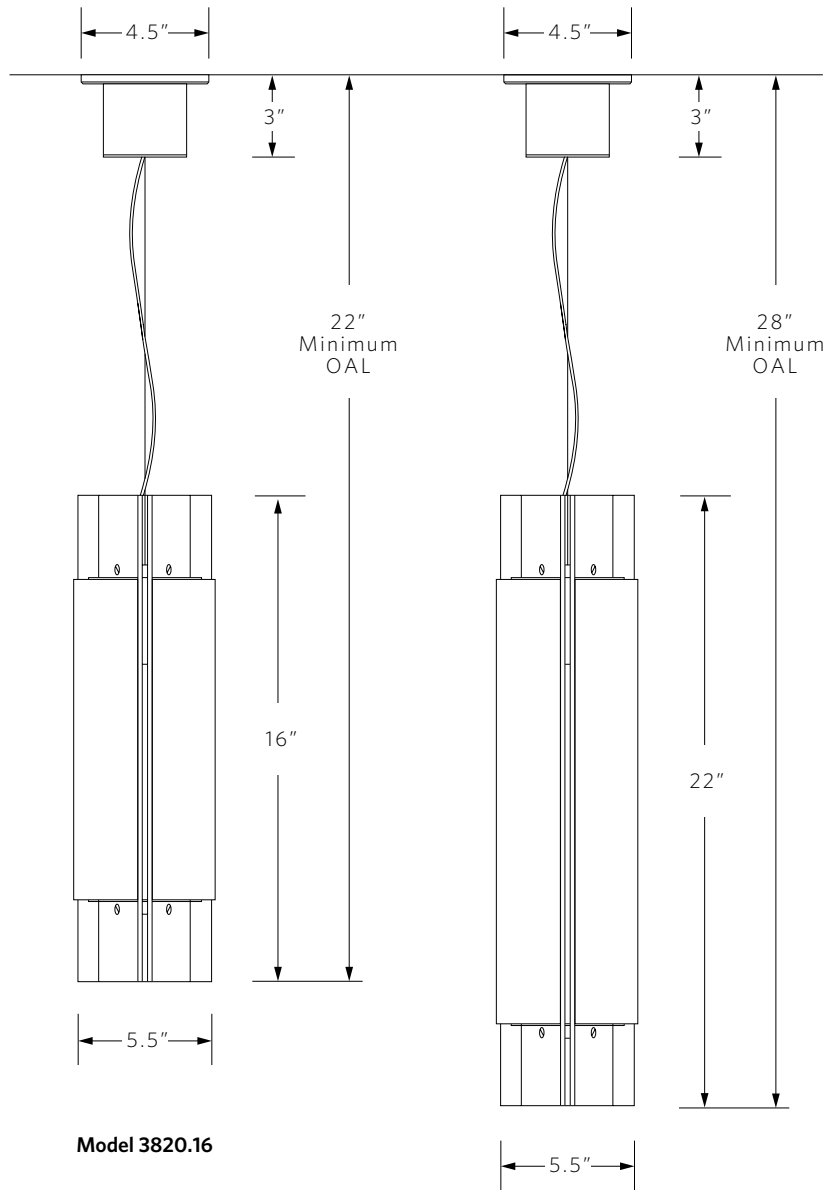
Dimmable driver integrated within ceiling plate.

Note: Recommend reverse phase dimmer (Lutron, Diva DVELV-300P, or similar).

CA Title 24-JA8-2016

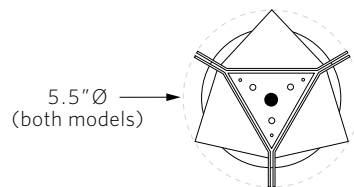
PLEASE SPECIFY

Finish, glass color & OAL (net price includes cable for an OAL of up to 48"). Refer to pricebook for additional cable length. Cable OAL can be adjusted in the field at installation.



Model 3820.16

Model 3820.22



Bottom View